

Plug In SpeedDelight with flexible plate, flat removable teflon plate - UK Plug

ITEM # _____

MODEL # _____

NAME # _____

SIS # _____

AIA # _____


603918
(HSG3RPF6)

 SpeedDelight with Flexible Top flat Contact
 Plate, dark grey (UK plug)

Short Form Specification

Item No.

It combines 3 cooking technologies: contact, infrared radiation and microwaves to provide perfectly cooked food, heated to the core. The Energy Saving Mode automatically switches to standby after an amount of time settled by the operator (from 1 to 60 minutes). Delivered with USB port and wi-fi connection to optimize workflows allowing local and remote interaction (temperatures, countdowns, warnings). Lid, back cover and bottom all in AISI 304 S/S. Automatic lifting of the lid at the end of the cooking cycle via mechanical spring. Aluminum flat top contact plate (215 x 215 mm) treated with a special non-stick coating; smooth 4 mm thick quartz glass bottom cooking surface (250 x 250 mm). Front air inlet and back outlet for efficient cooling ventilation allow easy air filters removal and side by side installation. 2 temperature probes for an independent control of the top and bottom plate temperature. Electronic control with digital LED display with adjustable brightness and countdown display and buzzer with adjustable volume at the end of the cycle. 800W electrical armored heating elements on the top plate. 500W electrical armored heating element on the bottom plate, 1 x 1050W magnetron for microwave. Ergonomic handle for easy movement of the lid. 8 pre-loaded programs (editable): P1 = 70 sec. (12 sec. MW); P2 = 80 sec. (12 sec. MW); P3 = 70 sec. (25 sec. MW); P4 = 75 sec. (28 sec. MW); P5 = 85 sec. (38 sec. MW); P6 = 90 sec. (30 sec. MW); P7 = 48 sec. (42 sec. MW); P8 = 12 sec. (no MW). With Top temperature = 249°C and bottom temperature = 220° C

Main Features

- It combines 3 cooking technologies: contact, infrared radiation and microwaves to provide perfectly cooked food, heated to the core.
- The Energy Saving Mode automatically switches to stand-by after an amount of time settled by the operator (from 1 to 60 minutes).
- Delivered with USB port and wi-fi connection to optimize workflows allowing local and remote interaction (temperatures, countdowns, warnings).
- Electronic control with digital 4.3" LED display with adjustable brightness.
- Countdown display and buzzer with adjustable volume at the end of the cycle.
- 8 programs selectable on the display. The 8 programs can be adjusted by the user. The programmable parameters are:
 - top plate temperature
 - bottom plate temperature
 - total duration of each cycle
 - duration and distribution of microwaves within each cycle.
- Automatic mechanical lid holding and opening system controlled.
- IPx4 water protection.
- Ergonomic handle for easy movement of the lid.
- Compliant with Regulation (EC) No 1935/2004 and its amendments, Regulation (EC) No 2023/2006 and its amendments.
- 8 pre-loaded programs (editable):
 - P1 = 70 sec. (12 sec. MW)
 - P2 = 80 sec. (12 sec. MW)
 - P3 = 70 sec. (25 sec. MW)
 - P4 = 75 sec. (28 sec. MW)
 - P5 = 85 sec. (38 sec. MW)
 - P6 = 90 sec. (30 sec. MW)
 - P7 = 48 sec. (42 sec. MW)
 - P8 = 12 sec. (no MW).
 With Top temperature = 249° C and bottom temperature = 220° C
- Self adjusting smooth upper plate to heat food adapting to its thickness.
- Connectivity ready for real time access to connected appliances from remote and data monitoring (requires optional accessory - contact the Company for more details).

APPROVAL: _____



Construction

- Aluminum smooth top contact plate (215 x 215 mm) treated with a special non-stick coating.
- Smooth 4 mm thick quartz glass bottom cooking surface (250 x 250 mm).
- 2 temperature probes for an independent control of the top and bottom plate temperature.
- Independent temperature setting of the top and bottom plates from 100 to 250 °C.
- Automatic lifting of the lid at the end of the cooking cycle via mechanical spring.
- Lid, back cover and bottom all in AISI 304 S/S.
- Lid covers, handle and side panels in high-grade reinforced composite material.
- Front air inlet and back outlet for efficient cooling ventilation allows easy air filters removal and side by side installation.
- Delivered with UK plug.
- 1 x 1050W magnetrons for microwave.
- 500W electrical armored heating element on the bottom plate.
- 800W electrical armored heating element on the top plate.

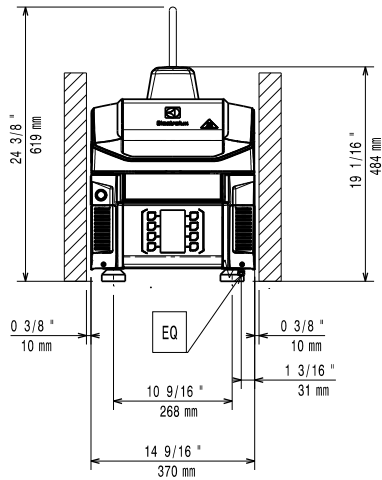
Included Accessories

- 1 of Glass saver for SpeedDelight PNC 653527
- 1 of Cleaning brush for SpeedDelight PNC 653623
- 1 of Spatula for SpeedDelight PNC 653625
- 1 of 4 rubber feet - Height = 26 mm for SpeedDelight PNC 653792

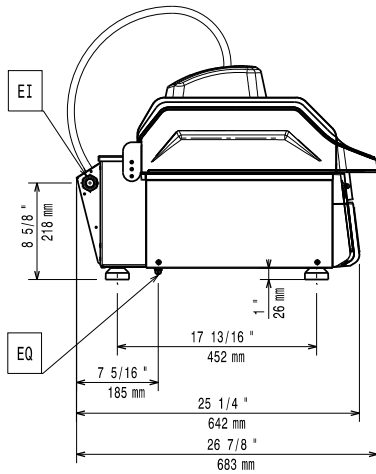
Optional Accessories

- Glass saver for SpeedDelight PNC 653527
- Cleaning brush for SpeedDelight PNC 653623
- Spatula for SpeedDelight PNC 653625
- Spray bottle (0,5lt) for detergent - SpeedDelight PNC 653695
- Removable flat teflon plate for SpeedDelight PNC 653790
- 4 stainless steel feet - Height = 76 mm for SpeedDelight PNC 653791
- 4 rubber feet - Height = 40 mm for SpeedDelight PNC 653793
- Connectivity hub (LAN) PNC 922697
- Connectivity hub (SIM) PNC 922705

Front

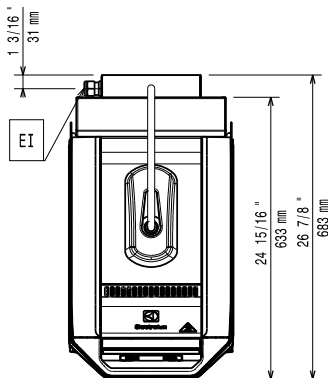


Side



EI = Electrical inlet (power)
 EO = Electrical Outlet

Top



Electric

Supply voltage:

603918 (HSG3RPP6) 220-230 V/1 ph/50 Hz

Rated amps:

12 A

Total Watts:

2.7 kW

Installation:

Clearance: 190mm from rear vertical panel

Key Information:

External dimensions, Width: 370 mm

External dimensions, Depth: 686 mm

External dimensions, Height: 484 mm

Net weight: 43.5 kg

Shipping weight: 54.5 kg

Shipping height: 680 mm

Shipping width: 450 mm

Shipping depth: 780 mm

Shipping volume: 0.24 m³